



## 艾瑞 ATRIA

均匀柔和的光线，轻舞飞扬。

如飞碟般悬浮于城市的夜空，与建筑空间和谐统一。超薄，平滑光亮的表面，在人行道上营造极具科幻元素的神秘光环。简单的几何造型，压铸铝结构，给人一种浮动、失重的感觉，无缝地融合到周围的城市建筑中，其影像让人瞬间联想到来之外太空的 UFO。

使用 LED 光源，节能，高效。精致，富有未来感的工业设计，根据使用环境灵活改变光线的投射方向，无论是在街道上，还是在居民区，或城市广场，都可以与周围环境和谐统一，实现完美的光效。

产品专利号: 201130075462.7

Uniform lighting and the effect of flying are the two main features of ATRIA, a light fitting designed to hover above without altering the urban scenery. Its slim surface has been created to shine an all-enveloping, mysterious light that seems to beam up the pedestrian under the halo.

Its simple geometry and injected aluminum structure give a feeling of lightness, buoyancy and weightlessness that merge seamlessly into the architecture of any city, casting a shadow reminiscent of the traditional iconography of UFOs and spaceships.

The use of LED technology optimizes energy efficiency, providing very good heat dissipation, energy saving and efficiency. Its meticulous, futuristic design enables light to be redirected to achieve the desired effect on its environment, whether on the street or for residential use.

Patent No.: 201130075462.7





均匀柔和的光线，轻舞飞扬。

如飞碟般悬浮于城市的夜空，与建筑空间和谐统一。超薄，平滑光亮的表面，在人行道上营造极具科幻元素的神秘光环。简单的几何造型，压铸铝结构，给人一种浮动、失重的感觉，无缝地融合到周围的城市建筑中，其影像让人瞬间联想到来之外太空的 UFO。

使用 LED 光源，节能，高效。精致，富有未来感的工业设计，根据使用环境灵活改变光线的投射方向，无论是在街道上，还是在居民区，或城市广场，都可以与周围环境和谐统一，实现完美的光效。

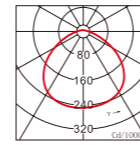
产品专利号: 201130075462.7

Uniform lighting and the effect of flying are the two main features of ATRIA, a light fitting designed to hover above without altering the urban scenery. Its slim surface has been created to shine an all-enveloping, mysterious light that seems to beam up the pedestrian under the halo.

Its simple geometry and injected aluminum structure give a feeling of lightness, buoyancy and weightlessness that merge seamlessly into the architecture of any city, casting a shadow reminiscent of the traditional iconography of UFOs and spaceships.

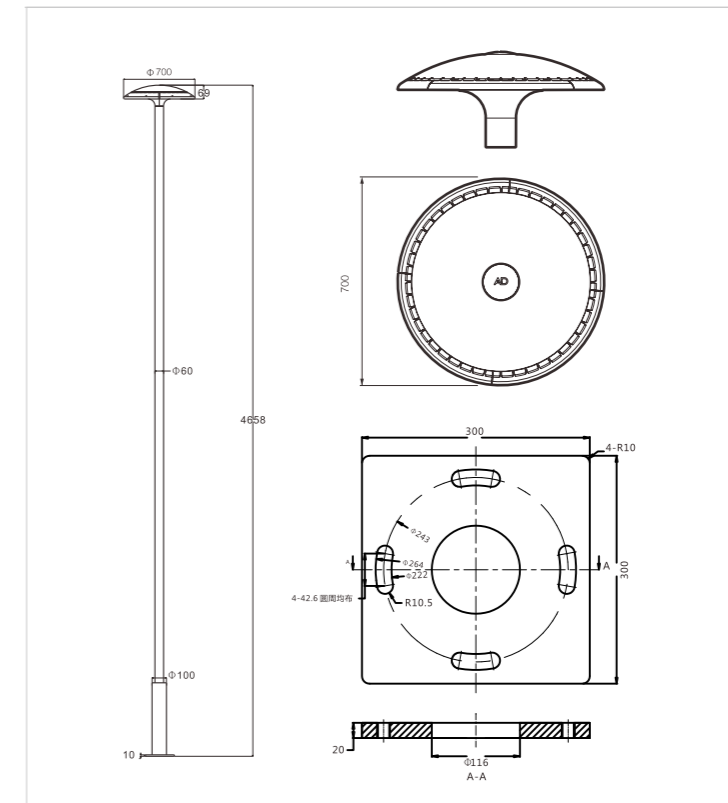
The use of LED technology optimizes energy efficiency, providing very good heat dissipation, energy saving and efficiency. Its meticulous, futuristic design enables light to be redirected to achieve the desired effect on its environment, whether on the street or for residential use.

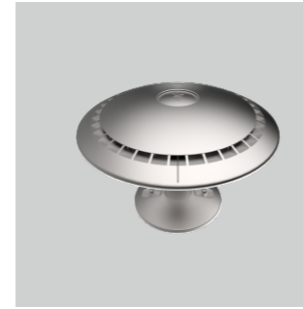
Patent No.: 201130075462.7



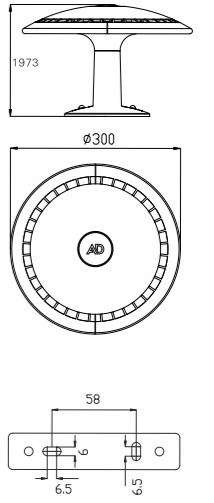
防护等级 IP Rating IP 65  
 输入电压 Input Voltage AC100-240V/DC24V  
 显色性 Color rendering Ra>80  
 灯体材料 Housing material 压铸铝 (Die cast aluminum)  
 透光罩 Diffuser 透明  
 光源品牌 Lamp Brand OSRAM/CREE/PHILIPS  
 环境温度 Operating Temperature -10°C~+45°C  
 防撞等级 IK 7  
 电源 Power supply 内置 Built in

Code	Lamp	可选高度
214001.040	40W 3000K/4500K/6000K	3m
214001.072	72W 3000K/4500K/6000K	4m
214001.0100	100W 3000K/4500K/6000K	5m





防护等级 IP Rating IP 65  
 输入电压 Input Voltage AC100-240V/DC24V  
 显色性 Color rendering Ra>80  
 灯体材料 Housing material 压铸铝 (Die cast aluminum)  
 透光罩 Diffuser 透明  
 光源品牌 Lamp Brand OSRAM/CREE/PHILIPS  
 环境温度 Operating Temperature -10°C~+45°C  
 防撞等级 IK 7  
 电源 Power supply 内置 Built in



Code	Lamp	尺寸 size
204021.012	12W 3000K/4500K/6000K	Ø 300x高202



灯具主要材料为：锥形灯杆+压铸铝灯壳+塑料灯罩结构紧凑、坚固、一体化设计。灯体采用静电喷塑和阳极氧化处理工艺，耐腐蚀抗氧化，密封件采用硅橡胶密封可靠，抗老化。

适用于室内或者户外美化环境，城市亮化，节能环保。

